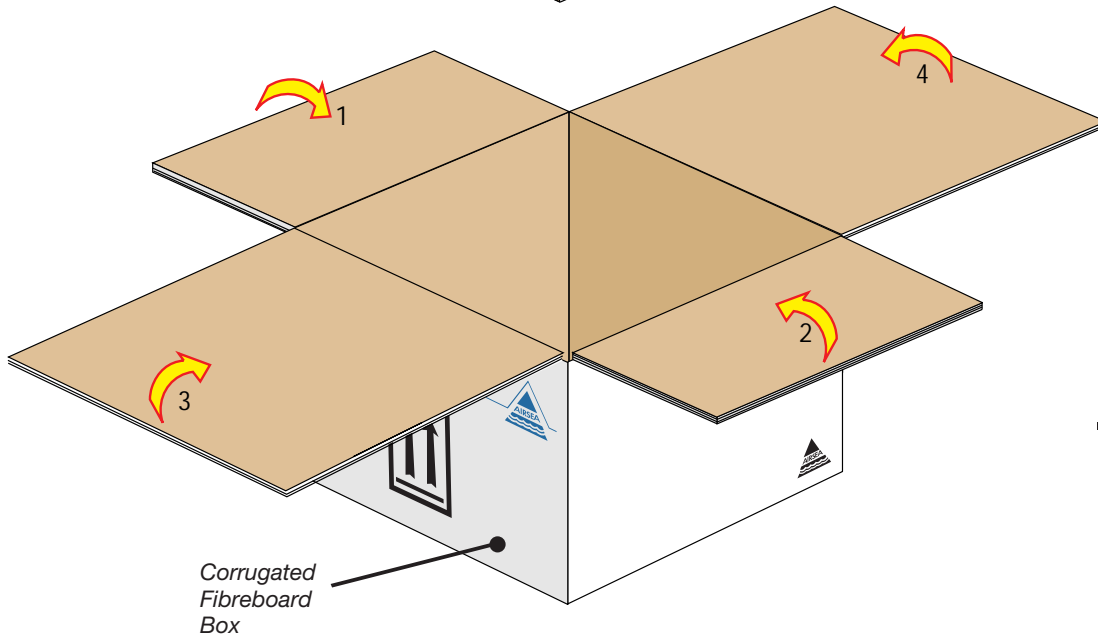
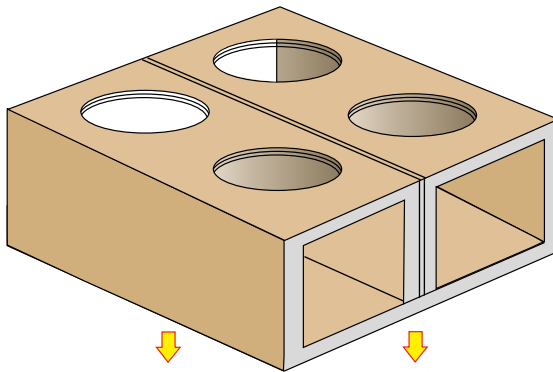
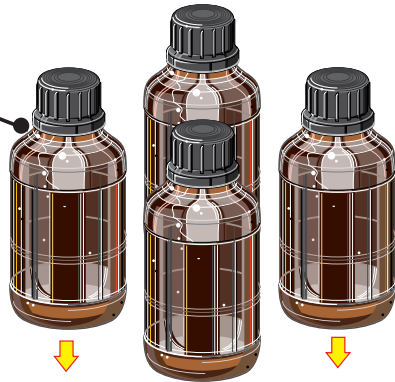


LQ OUTER PACKAGING



500ml Glass Bottles



ASSEMBLY DETAILS: FIBREBOARD BOX: LQ OUTER

CODE: 855

External Dimensions:
318 x 310 x 232mm

Internal Dimensions:
300 x 300 x 190 mm

Assemble the box by folding the flaps at the base as numbered and then seal by taping with 75mm adhesive tape around the exposed edges at the base of the box.

Roll up the fibreboard stabiliser and place the inner packagings into the holes as shown in the diagram.

Lift the fibreboard stabiliser containing the four bottles into the box.

Fold the top flaps as numbered and seal the box with 75mm adhesive tape around the exposed edges at the top of the box.

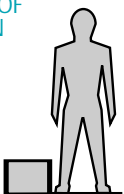
NOTES:

This Fibreboard Box OUTER has been tested to prove its capability for use as LQ packaging with this fibreboard stabiliser and inner packagings.

Meets construction requirements for packagings, 6.1.4. UN Model Regulations.

Tested with four 500ml glass inner packagings, this meets the 1.2m drop test and 3m stack test requirements for transport by air.

INDICATION OF PROPORTION



Air Sea Containers Ltd

521 Cavendish Street, Merseyside, CH41 8FZ, UK

▲ Tel +44 (0)151 653 1500 ▲ Email uk@airseadg.com ▲ Visit www.airseadg.com