

AIR SEA THERMAL CONTROL UNITS - OVERPACKS

PACKING DETAILS TECHNICAL SHEET

TEMPERATURE CONTROLLED PACKAGINGS
These **Thermal Control Units** are **OVERPACKS** & have a **POLYSTYRENE** internal liner with a **fibreboard** outer packaging.
They are delivered FULLY ASSEMBLED.

They may be used with **COOL PACK™ Thermal Control Sachets** or solid Carbon Dioxide (Dry Ice) for temperature control.

When Dry Ice is used, it *must* be packed under **ICAO/IATA Packaging Instruction 954** which *requires*:

Packaging *must permit* the release of carbon dioxide gas to prevent pressure build-up.

Ventilation safety procedures *must be* arranged between Shippers & Operators for **each** Dry Ice shipment

Markings: The overpack *must be* CORRECTLY MARKED on the outside giving the **Nett Weight of Dry Ice.**

Documentation: Details of Dry Ice *must be* recorded on the Airway Bill. **OR** on the Shippers Declaration where used as a refrigerant for dangerous goods.

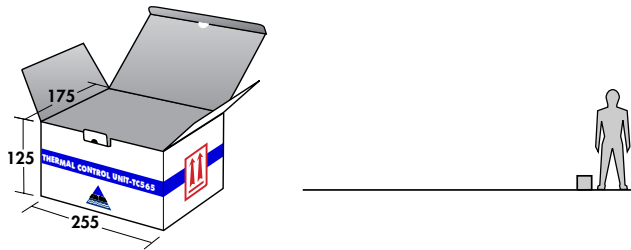
CAUTION: For the transport of dangerous goods **U.N. Certificated** packagings *must be* used **within** these thermal control overpacks.

Air Sea supplies a variety of U.N. Certificated packagings, (e.g. **BioPack-2™**) which can be used with these Thermal Control Overpacks for the temperature control of infectious substances and diagnostic specimens.

Further details on Request.

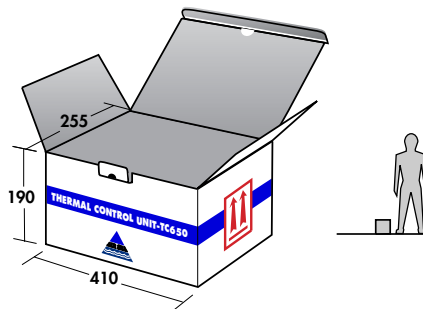


AIR SEA CONTAINERS LTD.
521 Cavendish Street
Birkenhead, CH41 8FZ
Great Britain
Tel: +44 (0) 151 653 1500
Fax: +44 (0) 151 653 1515
Web site: www.airseadg.com
E-mail: uk@airseadg.com



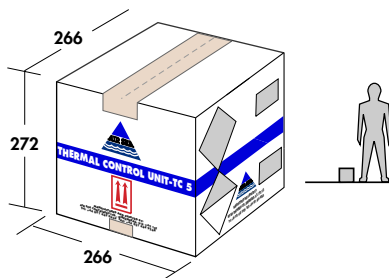
CODE 565

TC65
Internal Dimensions:
210 x 130 x 70 mm
External Dimensions:
255 x 175 x 125 mm
DRY ICE: UP TO 1.5 Kilos



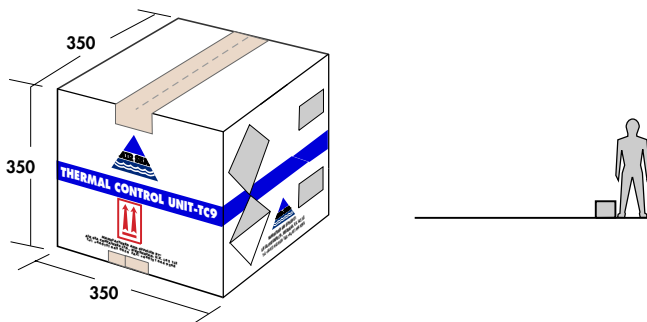
CODE 650

TC650
Internal Dimensions:
290 x 140 x 130 mm
External Dimensions:
410 x 255 x 190 mm
DRY ICE: UP TO 4 Kilos



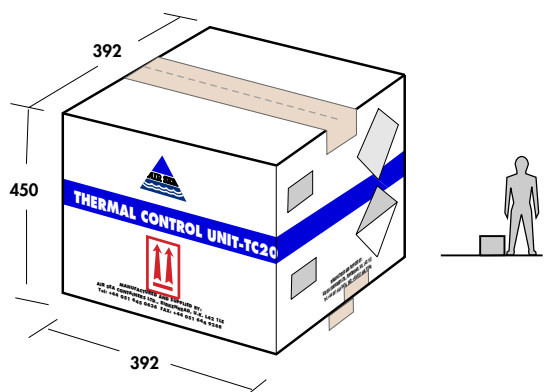
CODE 800

TC5
Internal Dimensions:
170 x 170 x 170mm
External Dimensions:
266 x 266 x 272 mm
Product Volume: 4.9L
Dry Ice: 4 Kg (Approx.)
Loss Rate: 45 grams per hour
Loss Rates were calculated with a constant external ambient of 30°C



CODE 801

TC9
Internal Dimensions:
210 x 210 x 210 mm
External Dimensions:
350 x 350 x 350 mm
Product Volume: 9.2L
Dry Ice: 7.5 Kg (Approx.)
Loss Rate: 59 grams per hour
Loss Rates were calculated with a constant external ambient of 30°C



CODE 802

TC20
Internal Dimensions:
255 x 255 x 305 mm
External Dimensions:
392 x 392 x 450 mm
Product Volume: 19.8L
Dry Ice: 13.4 Kg (Approx.)
Loss Rate: 89 grams per hour
Loss Rates were calculated with a constant external ambient of 30°C

PACKING DETAILS TECHNICAL SHEET

TEMPERATURE CONTROLLED PACKAGINGS
These **Thermal Control Units** are **OVERPACKS** & have a **POLYSTYRENE** internal liner with a **fibreboard** outer packaging. They are delivered **FULLY ASSEMBLED**.

They may be used with **COOL PACK™ Thermal Control Sachets** or solid Carbon Dioxide (Dry Ice) for temperature control.

When Dry Ice is used, it *must* be packed under **ICAO/IATA Packaging Instruction 954** which *requires*:

Packaging must permit the release of carbon dioxide gas to prevent pressure build-up.

Ventilation safety procedures must be arranged between Shippers & Operators for **each** Dry Ice shipment

Markings: The overpack *must* be **CORRECTLY MARKED** on the outside giving the **Nett Weight of Dry Ice**.

Documentation: Details of Dry Ice *must* be recorded on the Airway Bill.

OR on the Shippers Declaration where used as a refrigerant for dangerous goods.

CAUTION: For the transport of dangerous goods **U.N. Certificated** packagings *must* be used **within** these thermal control overpacks.

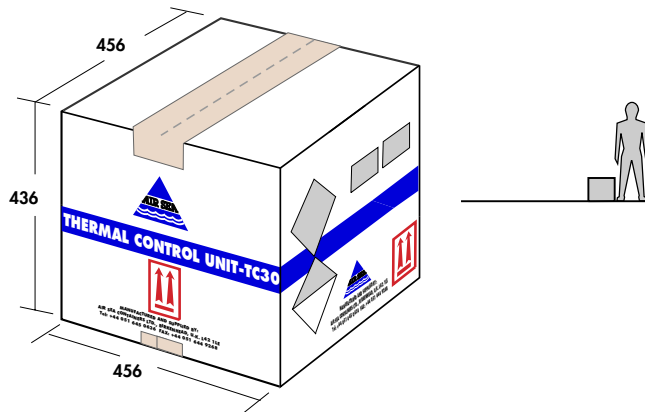
Air Sea supplies a variety of U.N. Certificated packagings, (e.g. **BioPack-2™**) which can be used with these Thermal Control Overpacks for the temperature control of infectious substances and diagnostic specimens.

Further details on Request.



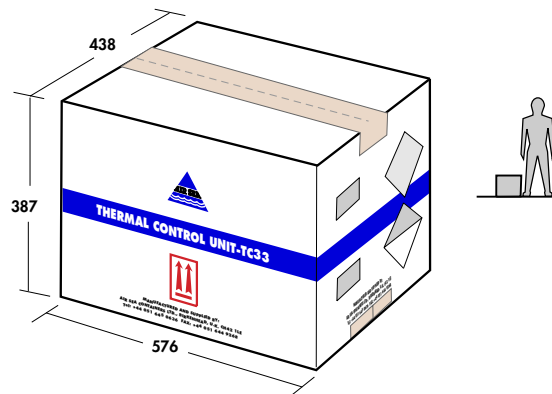
AIR SEA CONTAINERS LTD.
521 Cavendish Street
Birkenhead, CH41 8FZ
Great Britain
Tel: +44 (0) 151 653 1500
Fax: +44 (0) 151 653 1515
Web site: www.airseadg.com
E-mail: uk@airseadg.com

AIR SEA THERMAL CONTROL UNITS - OVERPACKS



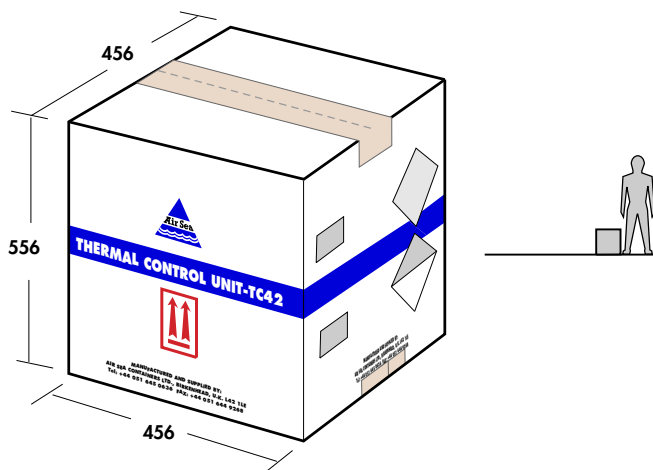
CODE 803

TC30
Internal Dimensions:
320 x 320 x 295 mm
External Dimensions:
456 x 456 x 436 mm
Product Volume: 30L
Dry Ice: 21.1Kg (Approx.)
Loss Rate: 93 grams per hour
Loss Rates were calculated with a constant external ambient of 30°C



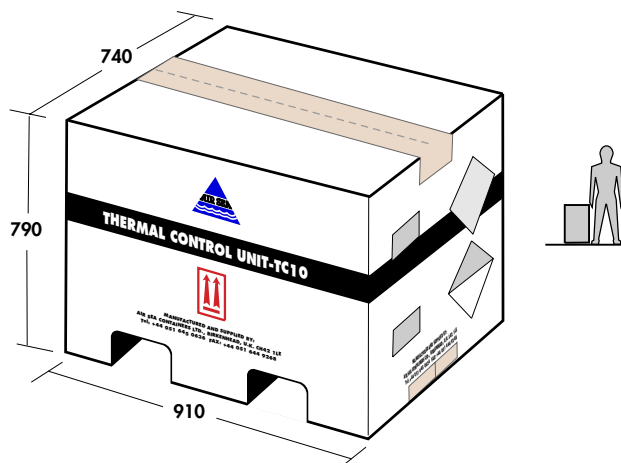
CODE 804

TC33
Internal Dimensions:
440 x 300 x 250 mm
External Dimensions:
576 x 438 x 387 mm
Product Volume: 33L
Dry Ice: 27Kg (Approx.)
Loss Rate: 134 grams per hour
Loss Rates were calculated with a constant external ambient of 30°C



CODE 805

TC42
Internal Dimensions:
320 x 320 x 415 mm
External Dimensions:
456 x 456 x 556 mm
Product Volume: 42.5L
Dry Ice: 31Kg (Approx.)
Loss Rate: 138 grams per hour
Loss Rates were calculated with a constant external ambient of 30°C



CODE 677

TC10
Internal Dimensions:
765 x 600 x 505 mm
External Dimensions:
910 x 740 x 790 mm
DRY ICE: UP TO 185 Kilos