

# MULTIPACK - MP40 COMBINATION PACKAGING

**ASSEMBLY DETAILS:**  
**FIBREBOARD**  
**BOX: 4GV**  
**OUTER PACKAGING**

**CODE 843**

**GB/6893**

FOR GROUPS: I II III  
 X Y Z



4GV/X40/S/\*\*

UP TO A  
**GROSS PACKAGE**  
**WEIGHT OF**

**40K**

**MAXIMUM**  
**PERMITTED**  
**WEIGHT OF**  
**CONTENTS**

**30K**

(PRODUCTS & CONTAINERS)

**External Dimensions:**

616 x 437 x 423mm

**Internal Dimensions:**

600 x 420 x 400mm

**NOTES:**

See special packaging details and other information overleaf. Vermiculite is required as an absorbent filling of all remaining available space.

All flaps **must be** sealed twice in a 'H' tape fashion with 75mm adhesive tape.

\*\* Denotes year of manufacture

Adhesive tape, labels and vermiculite can be purchased separately from Air Sea Containers.

**EXAMPLES OF INNER CONTAINERS**

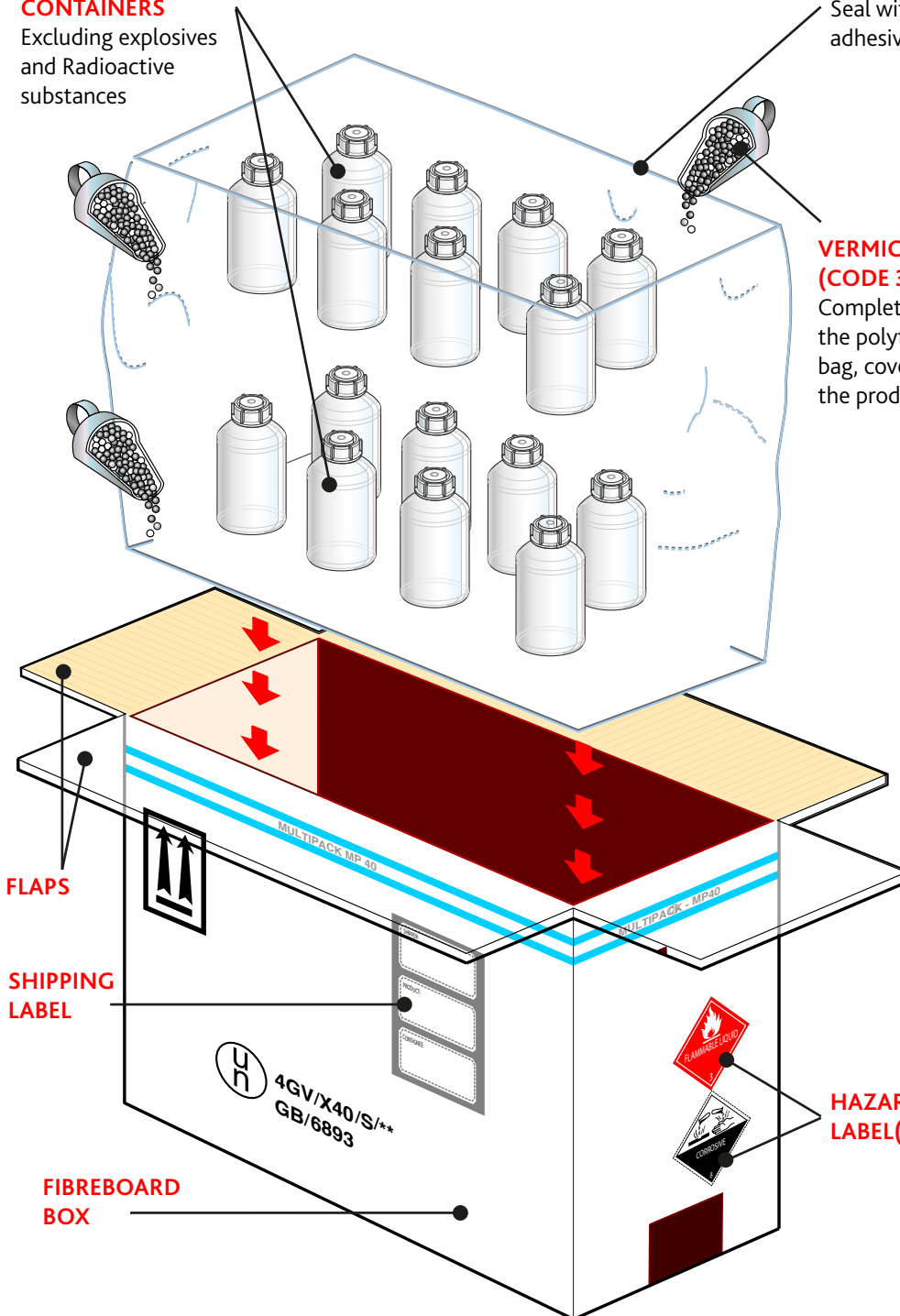
Excluding explosives and Radioactive substances

**POLYTHENE BAG**

Seal with 75mm adhesive tape

**VERMICULITE (CODE 38)**

Completely fill the polythene bag, covering the product



**FLAPS**

**SHIPPING LABEL**

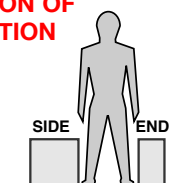
**FIBREBOARD BOX**

**HAZARD LABEL(S)**

An evenly distributed layer of vermiculite must cover the bottom and top of the packaging spaces.

Continued overleaf...

**INDICATION OF PROPORTION**



**AIR SEA CONTAINERS LTD**  
 521 CAVENDISH STREET,  
 BIRKENHEAD, CH41 8FZ, UK  
 TEL: +44 (0)151 653 1500  
 FAX: +44 (0)151 653 1515

WEB: WWW.AIRSEADG.COM  
 EMAIL: UK@AIRSEADG.COM

# MULTIPACK - MP40 COMBINATION PACKAGING

## ASSEMBLY DETAILS: FIBREBOARD BOX: 4GV OUTER PACKAGING

# CODE 843

### INSTRUCTIONS FOR USE:

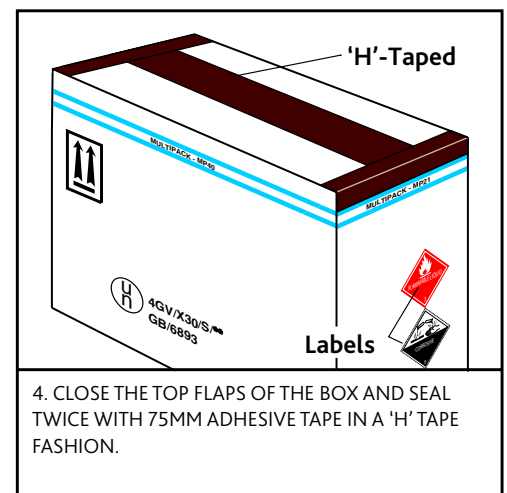
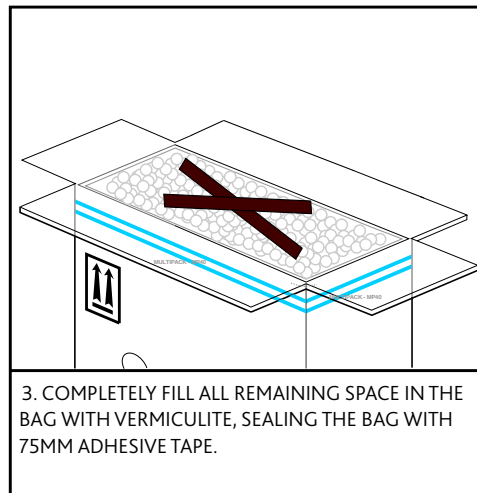
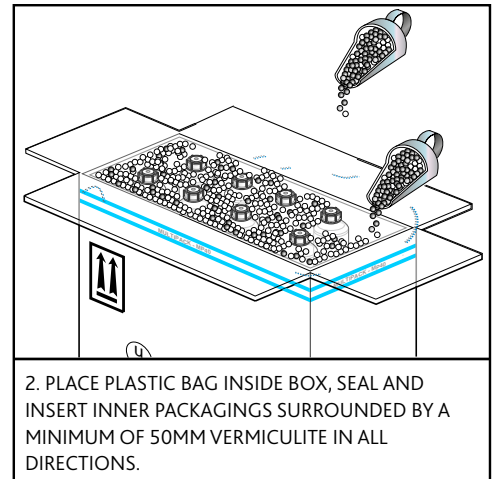
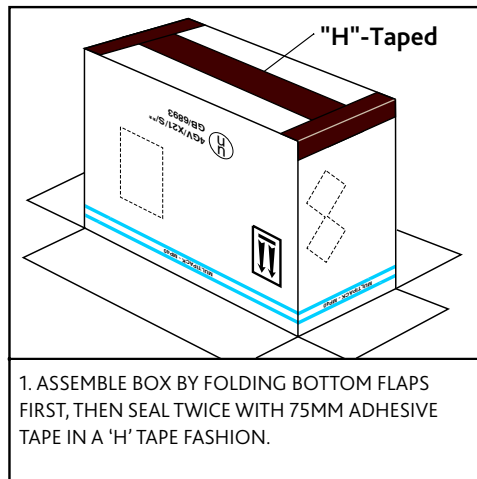
Refer to the illustrations on this page and overleaf.

1. ASSEMBLE BOX BY FOLDING BOTTOM FLAPS FIRST, THEN SEALING TWICE WITH 75MM ADHESIVE TAPE IN A 'H' TAPE FASHION.

2. PLACE PLASTIC BAG INSIDE BOX, SEAL AND INSERT INNER PACKAGINGS SURROUNDED BY A MINIMUM OF 50MM VERMICULITE IN ALL DIRECTIONS.

3. COMPLETELY FILL ALL REMAINING SPACE IN THE BAG WITH VERMICULITE, SEALING THE BAG WITH 75MM ADHESIVE TAPE.

4. CLOSE THE TOP FLAPS OF THE BOX AND SEAL TWICE WITH 75MM ADHESIVE TAPE IN A 'H' TAPE FASHION.



IT IS THE SHIPPERS RESPONSIBILITY TO ENSURE THAT ALL APPROPRIATE REGULATIONS GOVERNING THE TRANSPORTATION OF DANGEROUS GOODS ARE STRICTLY FOLLOWED.

OUR MULTIPACK IS A SPECIAL 4GV OUTER PACKAGING APPROVED UNDER UN TEST CRITERIA, WHICH ALLOWS TRANSPORT OF NON-SPECIFIED INNER CONTAINERS AND THEIR CONTENTS UP TO A STATED MAXIMUM WEIGHT.

IN MULTIPACK-40, THE MAXIMUM PERMITTED WEIGHT OF THE INNER CONTAINERS AND THEIR PRODUCT CONTENTS MUST NOT EXCEED 30 KILOGRAMS, WHILST THE GROSS PACKAGE WEIGHT MUST NOT EXCEED 40 KILOGRAMS.

MULTIPACK-40 MUST BE ASSEMBLED AND PACKED STRICTLY AS INSTRUCTED TO ENSURE THAT THE PACKAGING IS APPROVED FOR THE TRANSPORTATION OF PACKAGING GROUPS I, II AND III (X, Y, Z) DANGEROUS GOODS.

CLASS 1 EXPLOSIVES OR CLASS 7 RADIOACTIVES MUST NOT BE PACKED IN THIS BOX.



AIR SEA CONTAINERS LTD  
521 CAVENDISH STREET, BIRKENHEAD, CH41 8FZ, UK  
TEL: +44 (0)151 653 1500 FAX: +44 (0)151 653 1515

WEB: WWW.AIRSEADG.COM EMAIL: UK@AIRSEADG.COM