

AIR SEA TC-100 OVERPACK™ - FOR THERMAL CONTROL

CODE:524

NOTES:

The **TC-100 OverPack™** (CODE 524) is a heavy duty Thermal Control Unit consisting of a triple-walled fibreboard box containing a heavy duty polystyrene inner container and lid, with top and bottom pads and protective caps.

The **TC-100 OverPack™** is designed to be used with the **U.N. Certified Class 6.2 Bio Transporter CARGO™** (CODE 424) Combination Packaging for long distance shipments of Infectious Substances and Diagnostic Specimens.

CAUTION:

For the transport of Infectious Substances, **U.N. Approved** Packagings **MUST BE** used within the **TC-100 OverPack™**.

When used alone, the **TC-100 OverPack™** **IS NOT** a U.N. Certificated Packaging.

Delivered fully assembled with all labels, fittings and detailed instructions.

External Dimensions:

630 x 610 x 810mm

Internal Dimensions:

405 x 395 x 575mm

Weight of empty packaging:

approx. **10Kg.**

Maximum Weight of Dry Ice:

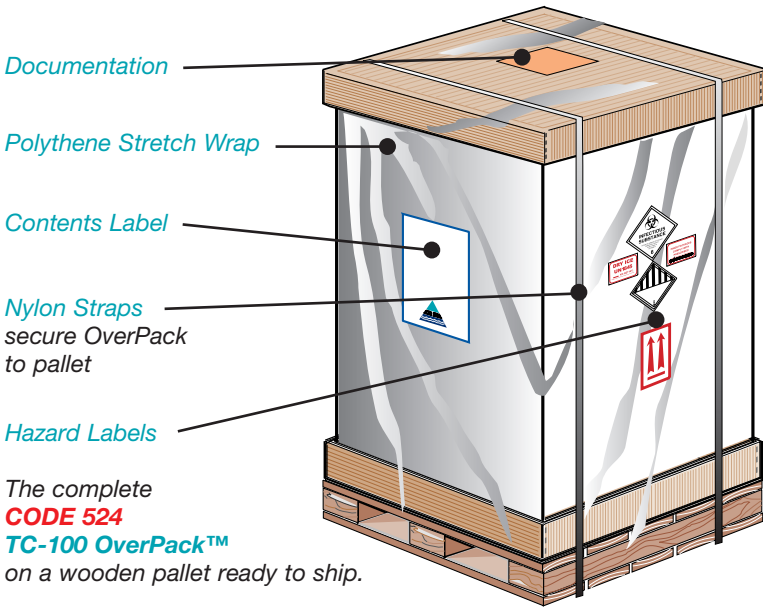
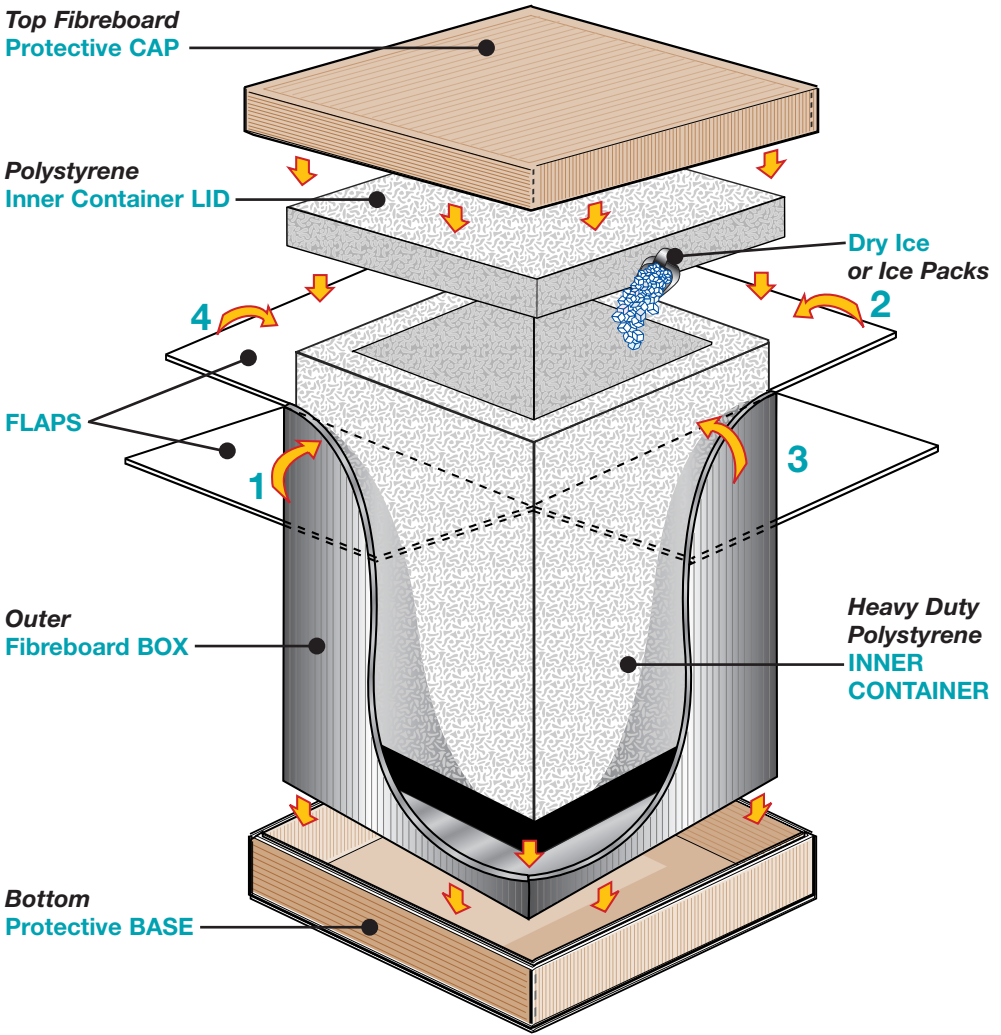
(No Inners): approx. **75Kg.**

The Weight of Dry Ice varies With the inners used.

Further details on Request.



AIR SEA CONTAINERS LTD.
 521 Cavendish Street
 Birkenhead, CH41 8FZ
 Great Britain
Tel: +44 (0) 151 653 1500
Fax: +44 (0) 151 653 1515
 Web site: www.airseadg.com
 E-mail: uk@airseadg.com



The complete **CODE 524 TC-100 OverPack™** on a wooden pallet ready to ship.

INDICATION OF PROPORTION

