

AIR SEA SAMPLEPACK™ COMBINATION PACKAGING

ASSEMBLY DETAILS:

COMBINATION PACKAGING 4G

Air Sea
SamplePack™

CODE:474

FOR PACKING GROUPS:

I II III
X Y Z



4G/X2/S/**
GB/2812

UP TO A GROSS PACKAGE WEIGHT OF

2k

External Dimensions:
105 x 105 x 220mm

Internal Dimensions:
70 x 70 x 175mm

NOTES:

The **SamplePack™** is designed to transport small quantities of either liquid and solid hazardous materials in a box of minimal dimensions. It is particularly suitable for use within the petrochemical and pharmaceutical industries.

Fold top flaps in sequence and remove double sided tape. Seal top of box in 'U' shape with 75mm clear self adhesive tape.

Further details on Request

** Denotes year of manufacture

E.P.E. Foam PAD
for added closure protection

Stabilizing & Cushioning Bubble SHEATH

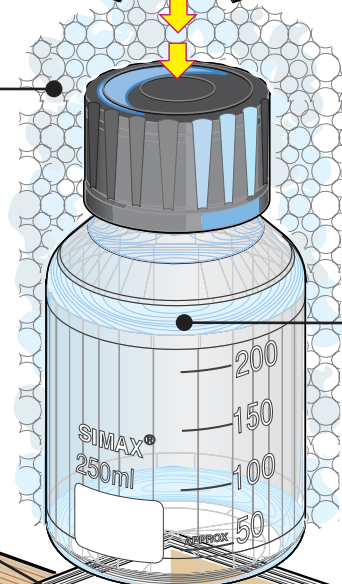
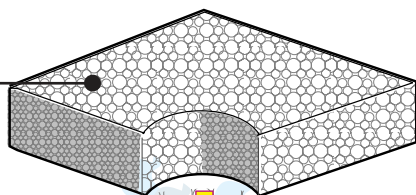
Double-wall corrugated Fibreboard Shield

FLAPS
Sequentially numbered for easy assembly

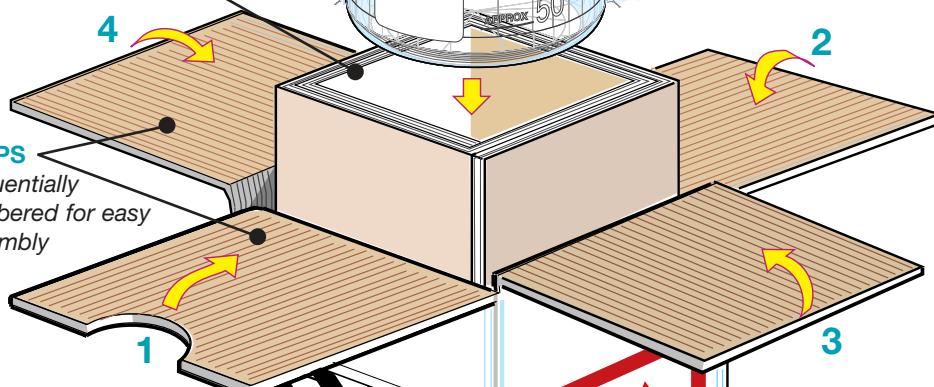
Typical HAZARD LABEL
100 x 100mm

Fibreboard Box
Re-usable, includes EPE Foam Pad and Shield

INDICATION OF PROPORTION



Typical Inner Container
CODE 143
250ml Glass Bottle
(See Overleaf for further details)



U.N. Mark



AIR SEA CONTAINERS LTD.
521 Cavendish Street
Birkenhead, CH41 8FZ
Great Britain
Tel: +44 (0) 151 653 1500
Fax: +44 (0) 151 653 1515
Web site: www.airseadg.com
E-mail: uk@airseadg.com

Continued Overleaf...

INNER PACKAGING

CODE:474

Air Sea
SamplePack™

It is the Shippers responsibility to ensure that products are compatible with their containers & closures.

NOTES:

For Infectious Substances under Class 6.2 ask for:

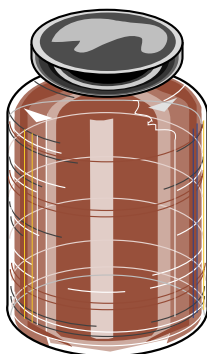
Code 111 BioPack-1™

Code 332 BioPack-1™

Further details on Request

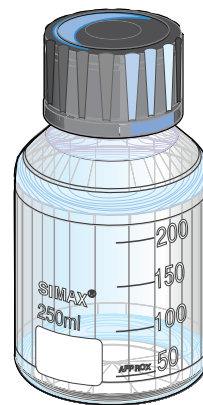
AIR SEA SAMPLEPACK™ APPROVED INNER PACKAGINGS

IP1



**Code 72: 240ml
8oz Glass Powder Jar**
In amber with 48mm screw cap with and steran wad.
Suitable for powders & solids up to 8oz weight. Group 1 up to a relative density of 4.2.

IP1



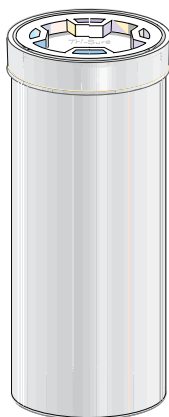
**Code 143: 250ml
Glass Iso-Reagent Bottle**
Clear, calibrated, with pouring ring. 45mm screw cap with PTFE seal, withstands up to 180° *Suitable for dangerous products compatible with Glass and PTFE.*

IP2



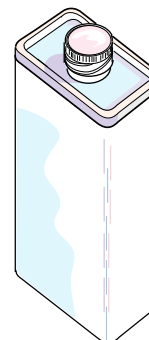
**Code 87: 300ml
LDPE Bottle**
40mm Superseal wide neck.
Suitable for many Group 1 Solids & Liquids

IP2



**Code 330: 330ml
Polypropylene Tube**
Heavy duty 51mm (2") internally threaded bung closure, withstands up to 500Kpa (55psi). *Suitable for dangerous products compatible with polypropylene.*

IP3



**Code 234: 250ml
Oblong Tinplate Drum**
Internally plain, free-standing U.N. marked 1A1/Y/200 *Suitable for Class 3.*



AIR SEA CONTAINERS LTD.
521 Cavendish Street
Birkenhead, CH41 8FZ
Great Britain
Tel: +44 (0) 151 653 1500
Fax: +44 (0) 151 653 1515
Web site: www.airseadg.com
E-mail: uk@airseadg.com