

PACKING DETAILS:

**HALF IMPERIAL GALLON
GLASS BOTTLE
INNER PACKAGING**

CODE:354

INSTRUCTIONS FOR USE

See illustrations overleaf and on this page for:

**CODE:370
GB/2379**

**COMBINATION
PACKAGING**

NOTES:

- 1 **FOLD BASE** Flaps, **SEAL** using Two strips of 50mm Polyester Adhesive Tape in 'H' shape.
- 2 **ROLL-FOLD** the Buffer Partition, to form Internal Cell. **TAPE** and **INSERT** into the fibreboard box.
- 3 **INSERT** the **BASE** Buffer Pad into the bottom of box.
- 4 **INSERT One Half Imperial Gallon Glass Bottle**, complete with product to be shipped and with **TWO Tamper-Evident Seals**.
- 5 **INSERT** the **TOP** Fibreboard Closure Protection Pad.
- 6 **CLOSE & SEAL** the box using TWO Strips of 50mm Polyester Tape in 'H' shape.
- 7 **ADD** the Hazard Labels and complete the Shipping Label which must show The Proper Shipping Name and include the name of the Responsible Person at the Shippers.

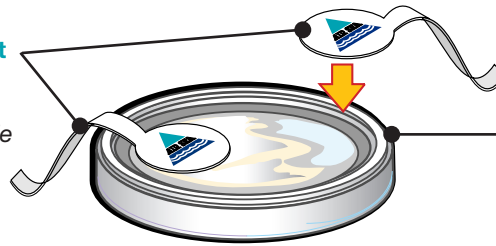
Further details on request.



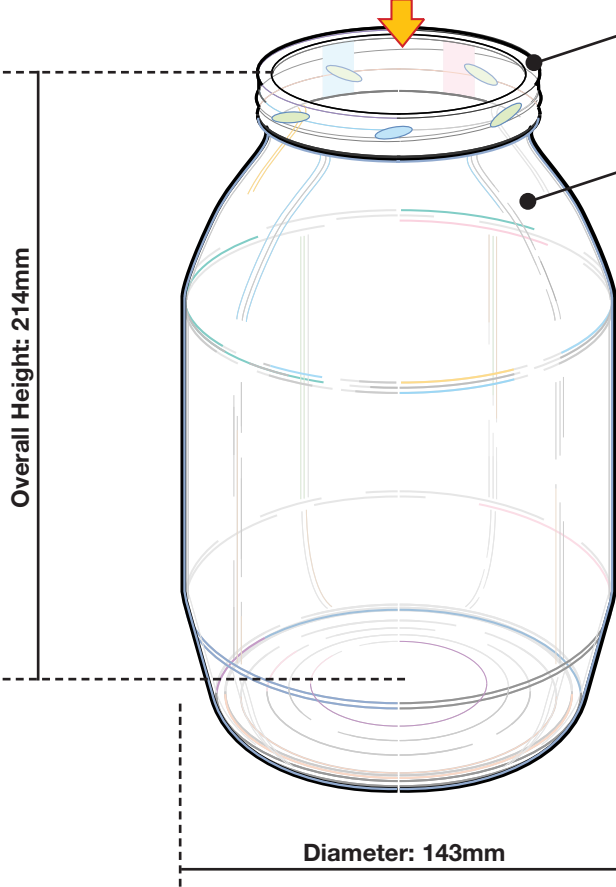
AIR SEA CONTAINERS LTD.
521 Cavendish Street
Birkenhead, CH41 8FZ
Great Britain
Tel: +44 (0) 151 653 1500
Fax: +44 (0) 151 653 1515
Web site: www.airseadg.com
E-mail: uk@airseadg.com

4 x HALF IMP. GAL. GLASS BOTTLE COMBINATION PACKAGING

TWO Tamper-Evident SEALS (CODE 364)
From lid to bottle body



82mm - Twist-off
TINPLATE LID
with PVS Seal



Glass Ring
Standard FD130
Thread Configuration

**HALF IMPERIAL
Gallon GLASS
BOTTLE (CODE 354)**

External Neck Dia:
82mm +/- 1mm

Internal Neck Dia:
73mm +/- 1mm

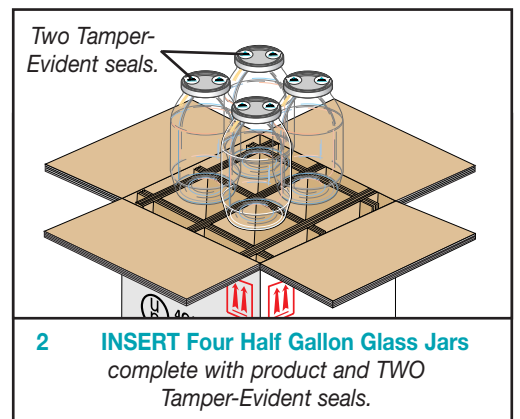
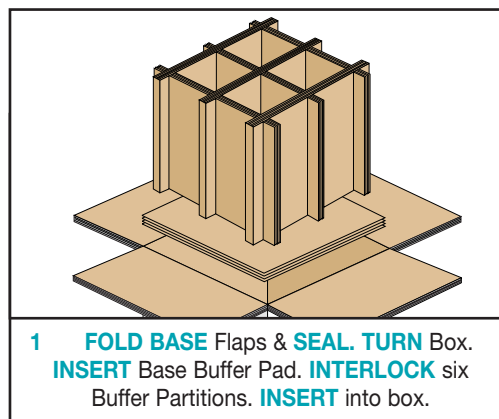
Neck Height:
65mm min.

Wall Thickness:
3 - 3.2mm

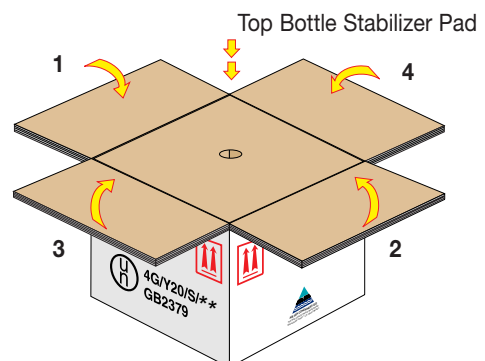
Weight:
870g

Nominal Capacity:
HALF Imperial
Gallon (2.3 Litres)

Brimful Capacity
2.372 Litres



- 3 **INSERT** the Top Buffer Pad. **CLOSE** the Top Flaps in sequence. **SEAL** Top Flaps using **TWO** Strips of 50mm Polyester Tape which must overlap box sides. **COMPLETE** the Shipping Label. **ADD** the Hazard Label.



** Denotes year of manufacture